

PLEASE CHECK WWW.MOLEX.COM FOR LATEST PART INFORMATION

Part Number: [0082263811](#)
Status: **Active**
Description: 1.50mm (.059") Pitch Round Conductor Flat Cable - 26 AWG (7 x 34) Stranded, Topcoat, 11 Circuits, Reel 30.48m (100.0') Length

Documents:

[Drawing \(PDF\)](#) [RoHS Certificate of Compliance \(PDF\)](#)

Agency Certification

CSA LR61126
 UL E61522

General

Product Family Cable
 Series [24483](#)
 Crimp Quality Equipment Yes
 Geographic Area Asia
 Product Name Ribbon

Physical

Cable Length 30.48m (100.0')
 Circuits (Loaded) 11
 Insulation PVC
 Packaging Type Reel
 Pitch - Term. Interface (in) 0.059 In
 Pitch - Term. Interface (mm) 1.50 mm
 Temperature Range - Operating -20°C to +105°C
 Wire Size AWG 26
 Wire/Cable Type (7x34) Stranded, Topcoat

Electrical

Current - Maximum per Contact N/A
 Voltage - Maximum 300V

Material Info

Old Part Number 24483-11-100B

Reference - Drawing Numbers

Sales Drawing SD-24483-001



EU RoHS

**ELV and RoHS
 Compliant
 REACH SVHC
 Not Reviewed
 Halogen-Free
 Status
 Not Reviewed**

China RoHS



Need more information on product environmental compliance?

Email productcompliance@molex.com
 For a multiple part number RoHS Certificate of Compliance, [click here](#)

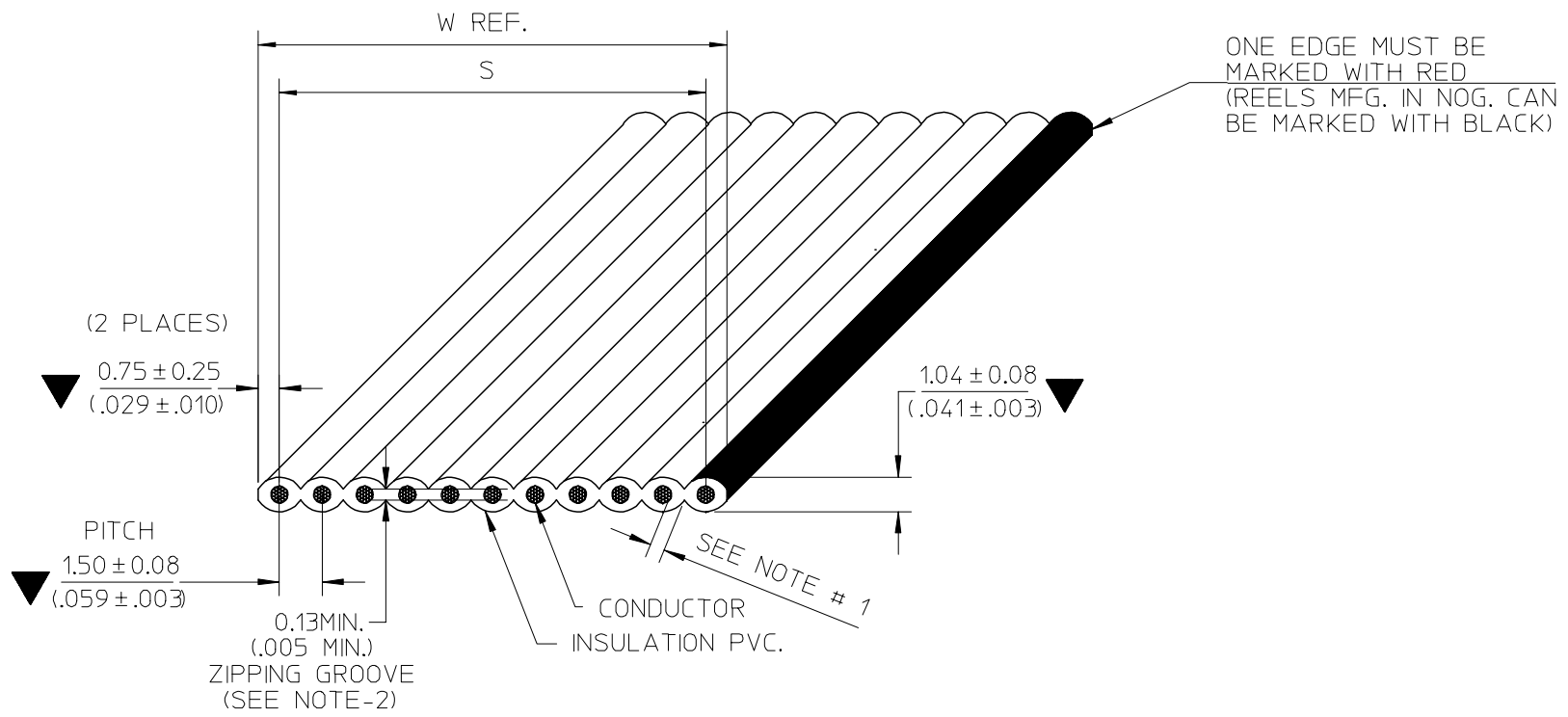
Please visit the [Contact Us](#) section for any non-product compliance questions.

Search Parts in this Series

[24483Series](#)

Use With

[52004 Wire Trap](#). [51016 Cable Holder](#)



- NOTE :**
1. THE CABLE SHALL HAVE A MINIMUM OF 0.178mm. (.007") THICKNESS INSULATION AT ANY POINT
 2. RIP TEST:
 - THE 0.13mm. (.005") ZIPPING GROOVE SHALL BE CAPABLE OF BEING RIPPED BY HAND WITHIN THE RECESS, WITHOUT EXPOSING THE ADJACENT CONDUCTORS
 3. RoHS AND LEAD FREE COMPLIANT
 4. SPECIAL REQUIREMENT: N/A

B	E-07-0748	B ₂ : ADD NON-OPERATING TEMP. B ₁ : ADD SOLDERING CONDITION	07/10/01
A	N/A	NEW RELEASE	06/08/09
REV. HISTORY	EC NO.	DETAIL	DATE

SEE CHANGE DETAIL
 EC NO: THL2008-0015
 DRWN: CPANSAKHOM 2007/11/28
 CHKD: DNARINTARA 2007/11/29
 APPR: SVIRATJAPOL 2007/12/04

QUALITY SYMBOLS	DESCRIPTION
▽=3	
▽=0	

GENERAL TOLERANCES (UNLESS SPECIFIED)	
	mm INCH
4 PLACES	± --- ± ---
3 PLACES	± --- ± ---
2 PLACES	± --- ± ---
1 PLACE	± --- ± ---
ANGULAR ± --- °	
DRAFT WHERE APPLICABLE MUST REMAIN WITHIN DIMENSIONS	

DIMENSION STYLE	
MM/IN	
DRAWN BY	DATE
CPANSAKHOM	2006/08/09
CHECKED BY	DATE
PMEECHAI	2006/08/09
APPROVED BY	DATE
SVIRATJAPOL	2006/08/09
MATERIAL NO.	
SEE CHART	
SIZE	
A/4	

SCALE	DESIGN UNITS	THIRD ANGLE PROJECTION
NTS	INCH	
TITLE		
FCB ROUND CONDUCTOR 1.50MM(.059)CENTERS PVC. 26AWG STRANDED TOPCOATED		
MOLEX INCORPORATED		
MATERIAL NO.	DOCUMENT NO.	SHEET NO.
SEE CHART	SD-24483-001	1 OF 3
THIS DRAWING CONTAINS INFORMATION THAT IS PROPRIETARY TO MOLEX INCORPORATED AND SHOULD NOT BE USED WITHOUT WRITTEN PERMISSION		

SPECIFICATIONS

PHYSICAL

CONDUCTOR SPACING1.50 (.059") C TO C
 WIRE GAUGE26 AWG(7/34) STRANDED TOPCOATED
 INSULATIONP.V.C GRAY (LEAD FREE)

AGENCY

U.L. STYLE NO.2651
 TEMPERATURE RATING-20°C TO 105°C
 VOLTAGE RATING300V.MAX.
 FLAMMABILITY RATINGVW-1

ELECTRICAL

CONDUCTOR RESISTANCE (D.C.)40.0 m OHMS/FT. MAX.
 CHARACTERISTIC IMPEDANCETBD OHMS NOM. (GS)
TBD OHMS NOM. (GSG)
 CAPACITANCETBD pF/FT. NOM. (GS)
TBD pF/FT. NOM. (GSG)
 PROPAGATION DELAY1.4 ns/FT. NOM.
 INSULATION RESISTANCE10M OHMS (10FT. SAMPLE)
 DIELECTRIC WITHSTAND VOLTAGE2000 VRMS/MINUTE

GENERAL

\triangle_{B_2} NON-OPERATING TEMPERATURE-20°C TO 105°C
 FAULTS AND/OR SPLICES1/REEL MAX. 100 \pm ₀³ FT. (30.48 \pm ₀⁹¹⁴ M.)/REEL
 20FT. (6.096M.) MIN. LENGTH

\triangle_{B_1} SOLDERING CONDITION

SOLDER TEMPERATURE260°C. MAX.
 SOLDERING TIME3 SECOND, MAX.
 INSULATION SHRINK2MM, NOM

SEE CHANGE DETAIL EC NO: THL2008-0015 DRWN:CPANSAKHOM 2007/11/28 CHKD:DNARINTARA 2007/11/29 APPR:SVIRATJAPOL 2007/12/04	DESCRIPTION REV	QUALITY SYMBOLS	GENERAL TOLERANCES (UNLESS SPECIFIED)		DIMENSION STYLE		SCALE	DESIGN UNITS	THIRD ANGLE PROJECTION				
		\blacktriangledown = \triangle =	mm	INCH	MM/IN	NTS	INCH	DRAWN BY CPANSAKHOM DATE 2006/08/09 CHECKED BY PREECHAI DATE 2006/08/09 APPROVED BY SVIRATJAPOL DATE 2006/08/09 MATERIAL NO. SEE CHART DOCUMENT NO. SD-24483-001 SHEET NO. 2 OF 3					
			4 PLACES	3 PLACES	2 PLACES	1 PLACE	ANGULAR						DATE
				±----	±----	±----	±----	±----°	FCB ROUND CONDUCTOR 1.50MM(.059)CENTERS PVC. 26AWG STRANDED TOPCOATED MOLEX INCORPORATED				
				DRAFT WHERE APPLICABLE MUST REMAIN WITHIN DIMENSIONS					THIS DRAWING CONTAINS INFORMATION THAT IS PROPRIETARY TO MOLEX INCORPORATED AND SHOULD NOT BE USED WITHOUT WRITTEN PERMISSION				

CHART A DIMENSIONS MM. (INCHES)				SHIPPED ON 100 FT. REELS	
ENG. NO.	NO.OF COND.	DIMENSION S	DIM. W (REF)	ENGINEERING NO.	ORDER NO.
24483-02	2	1.50±0.18 (.059±.007)	3.00 (.118)	24483-02-100B	82-26-3802
24483-03	3	3.00±0.18 (.118±.007)	4.50 (.177)	▲ -03- ▲	▲ 03
24483-04	4	4.50±0.18 (.177±.007)	6.00 (.236)	▲ -04- ▲	▲ 04
24483-05	5	6.00±0.18 (.236±.007)	7.50 (.295)	▲ -05- ▲	▲ 05
24483-06	6	7.50±0.18 (.295±.007)	9.00 (.354)	▲ -06- ▲	▲ 06
24483-07	7	9.00±0.18 (.354±.007)	10.50 (.413)	▲ -07- ▲	▲ 07
24483-08	8	10.50±0.18 (.413±.007)	12.00 (.472)	▲ -08- ▲	▲ 08
24483-09	9	12.00±0.18 (.472±.007)	13.50 (.531)	▲ -09- ▲	▲ 09
24483-10	10	13.50±0.18 (.531±.007)	15.00 (.591)	▲ -10- ▲	▲ 10
24483-11	11	15.00±0.18 (.591±.007)	16.50 (.650)	▲ -11- ▲	▲ 11
24483-12	12	16.50±0.18 (.650±.007)	18.00 (.709)	▲ -12- ▲	▲ 12
24483-13	13	18.00±0.18 (.709±.007)	19.50 (.767)	▲ -13- ▲	▲ 13
24483-14	14	19.50±0.18 (.768±.007)	21.00 (.827)	▲ -14- ▲	▲ 14
24483-15	15	21.00±0.18 (.827±.007)	22.50 (.886)	▼ -15- ▼	▼ 15

ENGINEERING NO.

24483-XX-XXXX

A B C D

A : CABLE 1.50mm. (.059") CENTERS 26AWG STRANDED TOPCOATED

B : CONDUCTOR SIZE (AVAILABILITY 2 THROUGH 15)

C : CABLE LENGTH 100FT. (30.48M.)

D : A = INCHES

B = FEET

SEE CHANGE DETAIL EC NO: THL2008-0015 DRWN:CPANSAKHOM 2007/11/28 CHKD:DNARINTARA 2007/11/29 APPR:SVIRATJAPOL 2007/12/04	DESCRIPTION REV	QUALITY SYMBOLS	GENERAL TOLERANCES (UNLESS SPECIFIED)		DIMENSION STYLE MM/IN		SCALE NTS	DESIGN UNITS INCH	THIRD ANGLE PROJECTION	
		▼ =		mm	INCH	DRAWN BY CPANSAKHOM	DATE 2006/08/09	TITLE FCB ROUND CONDUCTOR 1.50MM(.059)CENTERS PVC. 26AWG STRANDED TOPCOATED		
		◁ =	4 PLACES ± --- ± ---			CHECKED BY PMEECHAI	DATE 2006/08/09	MOLEX INCORPORATED		
			3 PLACES ± --- ± ---	ANGULAR ± ---°		APPROVED BY SVIRATJAPOL	DATE 2006/08/09	DOCUMENT NO. SD-24483-001	SHEET NO. 3 OF 3	
		2 PLACES ± --- ± ---	DRAFT WHERE APPLICABLE MUST REMAIN WITHIN DIMENSIONS		MATERIAL NO. SEE CHART					
		1 PLACE ± --- ± ---			SIZE A 4		THIS DRAWING CONTAINS INFORMATION THAT IS PROPRIETARY TO MOLEX INCORPORATED AND SHOULD NOT BE USED WITHOUT WRITTEN PERMISSION			